

# CENTABUILD

## BUILDING PRODUCTS

HEAD OFFICE: AUCKLAND (09) 579 0367  
 WELLINGTON (04) 568 7086 • CHRISTCHURCH (03) 379 9364  
[www.centabuild.co.nz](http://www.centabuild.co.nz)    [sales@centabuild.co.nz](mailto:sales@centabuild.co.nz)



H105, H106 DATASHEET - AUG08

Product specifications can change. Contact us to ensure you have our latest datasheet

# H105 & H106 CEILING HATCHES

## Premium Quality Large Size Range

## Security Lock. Sound Dampening

### H106

For installations where larger hatches or noise dampening is required, and/or where security is important. The hatches can be installed during construction or after the ceiling is in place. H106 hatches are designed to fit flush with the ceiling leaving only a narrow opening joint around the edges with no visible hinges. The hatch is secured with a lock which can be individually or identically keyed. Alternatively a universal lock option is available on most sizes.

The hatch panel is made from board with an STC of 29. Sound dampening seals are provided around the joint of the panel and the frame. An integral plasterers angle is standard with the complete range of H106.

#### BENEFITS

- Extra large sizes available.
- Security keyed or universal lock.
- Noise dampening
- Flush fitting
- Concealed hinges
- Plasterers angle integral.
- Safety chains on hinges and hatch panel
- Normally available ex-stock
- Variety of sizes manufactured. See table below.



### H105

H105 is identical to H106, except that the integral plastering angle on H106 is replaced by an integral flange on H105 and a thicker board with an STC of 30 is used for manufacturing the hatch panel.

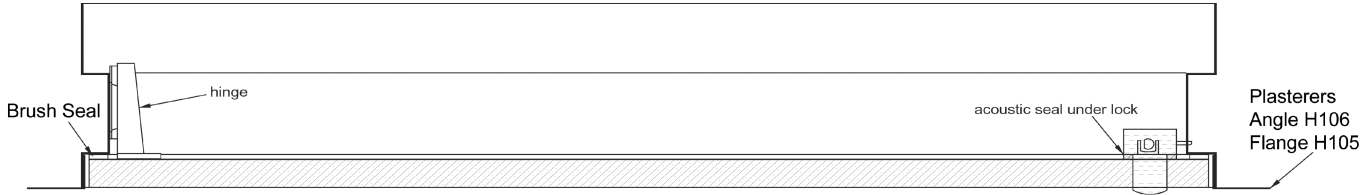
See Table below for sizes of H105 available.

**FIGURE 1: H105, H106 Product Codes**

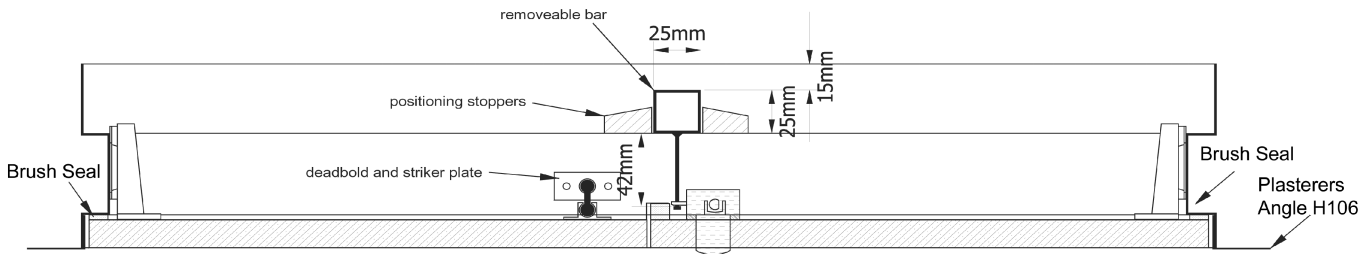
Product Code H105 Integral Flange	Product Code H106 Plasterer's Angle	Key Type	Width (mm)	Length (mm)	Height (mm)	Clear Opening Size (mm)	Ceiling Hole Size (mm)
H105-300x300	H106-300x300	Universal	300	300	110	265 x 265	310 x 310
H105-300x300	H106-300x300	Security	300	300	110	265 x 265	310 x 310
H105-400x400	H106-400x400	Universal	400	400	110	365 x 365	410 x 410
H105-400x400	H106-400x400	Security	400	400	110	365 x 365	410 x 410
H105-450x450	H106-450x450	Universal	450	450	110	415 x 415	460 x 460
H105-450x450	H106-450x450	Security	450	450	110	415 x 415	460 x 460
H105-530x530	H106-530x530	Universal	530	530	110	495 x 495	540 x 540
H105-530x530	H106-530x530	Security	530	530	110	495 x 495	540 x 540
N/A	H106-560x560	Universal	560	560	110	525 x 525	570 x 570
N/A	H106-560x560	Security	560	560	110	525 x 525	570 x 570
H105-600x600	H106-600x600	Universal	600	600	110	565 x 565	610 x 610
H105-600x600	H106-600x600	Security	600	600	110	565 x 565	610 x 610
N/A	H106-1000x75	Security	1000	750	110	965 x 715	1010 x 760
N/A	H106-1160x56	Security	1160	560	110	1125 x 525	1170 x 570
N/A	H106-1160x11	Security	1160	1160	110	1125 x 1125	1170 x 1170

# H105 & H106 CEILING HATCHES

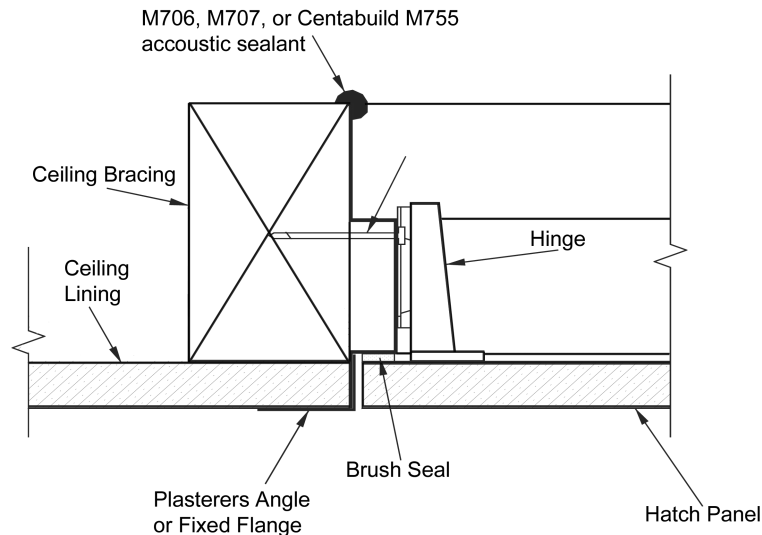
**FIGURE 2: Single Leaf Hatch Cross-section (H105 & H106)**



**FIGURE 3: Double Leaf Hatch Cross-section (H106)**



**FIGURE 4: Typical Ceiling Installation**



**NOTE:** The technical information and suggestions for use and application presented herein represent the best information available to us and are believed to be reliable. They should not however be construed as controlling suggestions and there is no warranty of performance of our materials either expressed or implied. We urge that users of our materials conduct confirmatory tests to determine final suitability for their specific end uses. All dimensions are nominal. **We reserve the right to make changes or to withdraw designs and products without notice.**