

FIREPRO

FIRE PROTECTIVE BUILDING PRODUCTS

HEAD OFFICE: AUCKLAND (09) 579 0367
WELLINGTON (04) 568 7086 • CHRISTCHURCH (03) 379 9364
www.firepro.co.nz sales@firepro.co.nz

CI/SfB
FG51 DATASHEET - AUG08

Product specifications can change. Contact us to ensure you have our latest datasheet

FIREPRO FG51 INTUMESCENT GRILL / FIRE DAMPER (Aluminium Frame for Fire Rated Walls).

- ALUMINIUM FRAMED GRILL THAT INTUMESCES TO FORM A FIRE STOP BARRIER.
- ALLOWS AIR FLOW THROUGH FIRE RATED WALLS.
- UP TO 1½ HOURS FIRE PROTECTION.
- CONTINUING SAVINGS AS NO MOVING PARTS TO REQUIRE OPERATIONAL CHECKS.
- LIGHT WEIGHT.

DESCRIPTION

Firepro FG51 Intumescent Grills allow the bi-directional movement of air through fire rated walls. When a fire occurs the slats in the grill intumesce (swell to many times their original size) very rapidly to form a solid firestop barrier. They are simple to install, easy to identify, and economical.

Firepro FG51 Intumescent Grills have slats of foil-covered intumescent material with an aluminium frame.

SIZES & AVAILABILITY

A range of standard sizes are normally available ex stock, other sizes up to 450mm x 450mm manufactured to order.

All sizes quoted are nominal. Actual sizes are 2mm - 5mm under nominal sizes to allow easy fitting.

Standard Stock Sizes:	
150mm x 150mm	100mm x 200mm
200mm x 200mm	100mm x 300mm
300mm x 300mm	200mm x 300mm
400mm x 400mm	200mm x 400mm
450mm x 450mm	

Grill Dimensions (All dimensions are nominal)

The grill is 43mm in depth. Slats are 6mm thick and there is 14mm between slats, giving 70% free area excluding the perimeter frame.



TEST DATA

Fire testing to AS 1530:4, and BS 476:20-22 for up to 1½ hour fire integrity in walls.

FITTING

The unit should be a neat fit in the aperture to be protected, and the perimeter sealed with Firepro M707 intumescent sealant. Fixing of the units is easily accomplished by means of screws, rivets, or brackets.

See Application Notes overleaf.

MAINTENANCE

Firepro FG51 Grills are made from permanent materials. The intumescent material is inert until a fire occurs.

There are no moving parts or fusible link to require operational checks or maintenance.

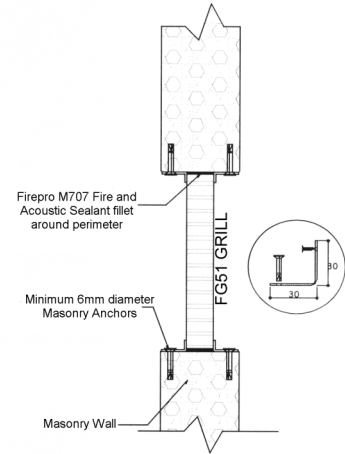
NOTE: The technical information and suggestions for use and application presented herein represent the best information available to us and are believed to be reliable. They should not however be construed as controlling suggestions and there is no warranty of performance of our materials either expressed or implied. We urge that users of our materials conduct confirmatory tests to determine final suitability for their specific end uses. All dimensions are nominal. We reserve the right to make changes or to withdraw designs and products without notice.

INSTALLATION INSTRUCTIONS

FG51 Fire Grills

Masonry Wall

- Position the grill into the opening so that it is central within the wall thickness.
- Apply Firepro M707 Fire and Acoustic Mastic around the perimeter of the grill on both sides of the wall ensuring that the mastic is applied to a minimum depth of 15mm between the spigot and wall. Allow a maximum clearance of 10mm around sides.
- (OPTIONAL) Fix the mounting brackets to sides of hole, with a minimum of 10G x 22mm Wafer Head Self Drilling Screws. Ensure that the mounting bracket is positioned so that when the grill is inserted into the wall that the entire thickness of the grill is within the wall thickness.



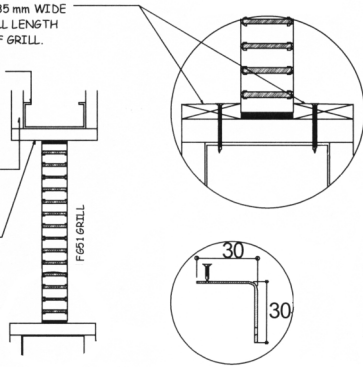
Plasterboard Walls

MINIMUM 12.5 mm THICK X 35 mm WIDE PLASTERBOARD LINING FULL LENGTH ALONG TOP AND BOTTOM OF GRILL.

APPROPRIATE SIZED WALL FRAMING TO MANUFACTURERS RECOMMENDATIONS

PLASTER BOARD LININGS TO MANUFACTURERS RECOMMENDATION

LINE WALL CAVITY TO SAME SPECIFICATION AS WALL LINING



- Line the opening in the wall to the same specification as the wall lining.
- Position the grill into the opening so that it is central within the wall thickness.
- Apply Firepro M707 Fire and Acoustic Mastic around the perimeter of the grill on both sides of the grill ensuring that the mastic is applied to a minimum depth of 15mm between the grill and the surround. A maximum clearance of 10mm applies.
- (OPTIONAL) Fix the mounting brackets to sides of hole, with a minimum of 10G x 22mm Wafer Head Self-drilling Screws. Ensure that the mounting brackets are positioned so that the entire thickness of the grill is within the wall thickness.

NOTE:

For Installation where the grill is required to be fitted flush with one face of the wall.

APPROPRIATE SIZED WALL FRAMING TO MANUFACTURERS RECOMMENDATIONS

PLASTER BOARD LININGS TO MANUFACTURERS RECOMMENDATION

LINE WALL CAVITY TO SAME SPECIFICATION AS WALL LINING



- Line the opening in the wall to the same specification as the wall lining.
- Fix the 40mm wide mounting brackets to the sides of hole.
- Position the grill into the opening so that it is flush with the face required.
- Apply a bead of Firepro M707 Fire and Acoustic Mastic around the perimeter of both sides of the grill.
- Install the 30mm x 30mm fixing brackets against the opposite face of the grill.
Alternatively: Steps B and E may be reversed.