

FIREPRO

FIRE PROTECTIVE BUILDING PRODUCTS

HEAD OFFICE: AUCKLAND (09) 579 0367
WELLINGTON (04) 568 7086 • CHRISTCHURCH (03) 379 9364
www.firepro.co.nz sales@firepro.co.nz

CI/SfB
FG50 DATASHEET - AUG08

Product specifications can change. Contact us to ensure you have our latest datasheet

FIREPRO FG50 INTUMESCENT GRILL / FIRE DAMPER (Multi purpose with zinc-coated steel finish).

- RIGID STEEL FRAMED GRILL THAT INTUMESCES TO FORM A FIRE STOP BARRIER.
- ALLOWS AIR FLOW THROUGH FIRE RATED WALLS, FLOORS.
- CAN BE FITTED IN A STEEL DUCT.
- UP TO 2 HOURS FIRE PROTECTION.
- CONTINUING SAVINGS AS NO MOVING PARTS TO REQUIRE OPERATIONAL CHECKS.
- LARGE SIZES.

DESCRIPTION

Firepro FG50 Intumescent Grills allow the bi-directional movement of air through fire rated walls and floors. When a fire occurs the slats in the grill intumesce (swell to many times their original size) very rapidly to form a solid fire barrier. They are simple to install, easy to identify, and economical. Firepro FG50 Intumescent Grills have slats of foil-covered intumescent material with a rigid steel frame.

SIZES & AVAILABILITY

A range of stock sizes is available. We also manufacture special sizes up to 600mm x 600mm or 0.36M² with no slat longer than 600mm and no dimension longer than 1200mm. Special sizes are manufactured in 20mm increments. All sizes quoted are nominal. Actual sizes are 2mm - 5mm under nominal sizes to allow easy fitting.

Stock Sizes:	
150mm x 150mm	100mm x 200mm
200mm x 200mm	100mm x 300mm
300mm x 300mm	200mm x 300mm
450mm x 450mm	200mm x 600mm
500mm x 500mm	300mm x 600mm
600mm x 600mm	

Grill Dimensions (All dimensions are nominal)

The grill is 43mm deep. Slats are 6mm thick and there is 14mm between slats, giving 70% free area excluding the perimeter frame.

FIRE TEST DATA

Fire tested and assessed to AS 1530:4, and BS 476:20-22 for up to 2 hours fire integrity in plasterboard, concrete or masonry walls and concrete floors, and in steel duct spigots penetrating those walls or a concrete floor. Through floors 2 hours integrity and 1 hour insulation on the duct spigot -/120/60. BS476:20-22 tests by convention may be applied to walls, floors being considered the more rigorous orientation in a fire test. Also tested to AS/NZ 1668:1, with closure in less than 120 seconds, and AS 1682:1.



FITTING

The unit should be a neat fit in the aperture and the perimeter sealed with Firepro M707 intumescent sealant. Fixing of the unit is easily accomplished by means of screws, rivets, or brackets and/or M707 sealant dependent upon the situation and orientation. See *Installation Instructions overleaf*.

MAINTENANCE

Firepro FG50 Grills are made from permanent materials. The intumescent material is inert until a fire occurs, and the frame is zinc coated steel, similar to that used for most steel ducting. There are no moving parts or fusible link to require operational checks or maintenance.

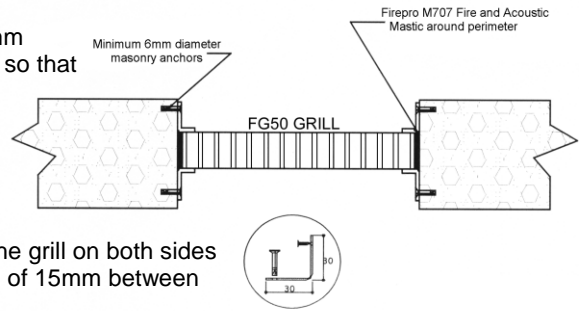
NOTE: The technical information and suggestions for use and application presented herein represent the best information available to us and are believed to be reliable. They should not however be construed as controlling suggestions and there is no warranty of performance of our materials either expressed or implied. We urge that users of our materials conduct confirmatory tests to determine final suitability for their specific end uses. All dimensions are nominal. We reserve the right to make changes or to withdraw designs and products without notice.

INSTALLATION INSTRUCTIONS

FG50 Fire Grills (read reverse of this sheet before installing)

1. Concrete Floors

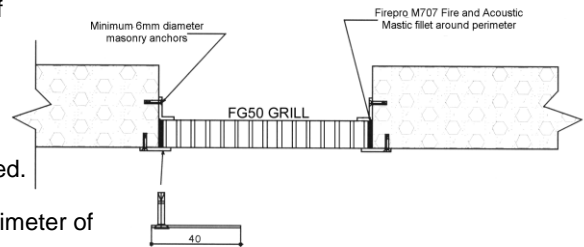
- Fix the lower mounting brackets to sides of hole, with a minimum of 6mm masonry anchors. Ensure that the mounting bracket is positioned so that when the grill is inserted into the floor that the entire thickness of the grill is within the floor thickness (see section 2 below for flush fit installation).
- Fix upper mounting brackets, using a minimum 6mm masonry anchor above the grill.
- Remove blue strapping if present.
- Apply Firepro M707 Fire and Acoustic Mastic around the perimeter of the grill on both sides of the floor ensuring that the mastic is applied to a minimum depth of 15mm between the grill and floor. A maximum clearance of 10mm applies.



2. Flush Fit Walls/Floors Installation

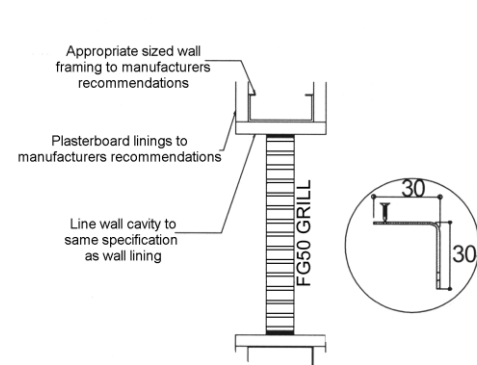
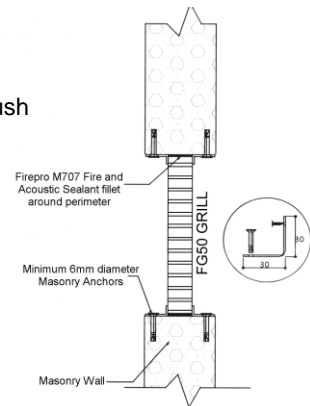
For Installation where the grill is required to be fitted flush with one face of the floor or wall.

- If required, line the opening in the wall to the same specification as the wall lining.
- Fix the 40mm wide mounting brackets to the face of the wall or floor.
- Position the grill into the opening so that it is flush with the face required.
- Remove blue strapping if present.
- Apply a bead of Firepro M707 Fire and Acoustic Mastic around the perimeter of both sides of the grill.
- Install the 30mm x 30mm fixing brackets against the opposite face of the grill.



3. Masonry Walls

- Position the grill into the opening so that it is central within the wall (see section 2 above for flush fit installation).
- Remove blue strapping if present.
- Apply Firepro M707 Fire and Acoustic Mastic around the perimeter of the grill on both sides of the wall ensuring that the mastic is applied to a minimum depth of 15mm between the spigot and wall. Allow a maximum clearance of 10mm around sides.
- (OPTIONAL) Fix the mounting brackets to sides of hole, with a minimum of 10G x 22mm Wafer Head Self Drilling Screws. Ensure that the mounting bracket is positioned so that when the grill is inserted into the wall that the entire thickness of the grill is within the wall thickness.



4. Plasterboard Walls

- Line the opening in the wall to the same specification as the wall lining (see section 2 above for flush fit installation).
- Position the grill into the opening so that it is central within the wall.
- Remove blue strapping if present.
- Apply Firepro M707 Fire and Acoustic Mastic around the perimeter of the grill on both sides of the wall ensuring that the mastic is applied to a minimum depth of 15mm between the spigot and wall. Allow a maximum clearance of 10mm around sides.
- (OPTIONAL) Fix the mounting brackets to sides of hole, with a minimum of 10G x 22mm Wafer Head Self Drilling Screws. Ensure that the mounting bracket is positioned so that when the grill is inserted into the wall that the entire thickness of the grill is within the wall thickness.

5. Steel Duct Spigots in Floors & Walls

- The steel duct spigot penetrating the concrete floor or fire-rated plasterboard, concrete, brick, or masonry wall should fit with a gap of not more than 10mm. No insulation is required between the duct and the wall or floor.
- Position the grill in the duct spigot so that the grill is positioned centrally in the wall or with the bottom of the grill flush with the bottom of the floor.
- Remove blue strapping if present.
- Seal any gap between the grill and the inside of the duct spigot with M707 Intumescent Sealant and apply a 10mm coving to one side. In floor situations the coving should be on the bottom side.
- Fix the grill into place with steel screws or rivets from the outside of the duct spigot into the grill casing.
- Seal the gap between the wall/floor and the outside of the duct spigot on both sides with M707 at least 15mm deep.
- Attach the duct spigot to the wall/floor with steel brackets or angles as set out in local installation standards requirements, such as AS1682.2, allowing for break-away-connection requirements.

