

# FIREPRO

## FIRE PROTECTIVE BUILDING PRODUCTS

CI/SfB

B314 DATASHEET - AUG08

HEAD OFFICE: AUCKLAND (09) 579 0367  
 WELLINGTON (04) 568 7086 • CHRISTCHURCH (03) 379 9364  
[www.firepro.co.nz](http://www.firepro.co.nz) [sales@firepro.co.nz](mailto:sales@firepro.co.nz)

Product specifications can change. Contact us to ensure you have our latest datasheet

### FIREPRO B314 WM Wide Mouth RETROFIT FIRE COLLARS



Dimensions in millimeters (nominal)				
	A	B	C	D
B314-40	59	89	131	37
B314-50	72	102	140	37
B314-65	85	115	156	37
B314-80	99	129	171	42
B314-100	126	156	199	62
B314-150	177	207	247	62

#### DESCRIPTION

Firepro B314 WM Wide Mouth Fire Collars prevent the spread of fire where uPVC and PE plumbing pipes penetrate fire walls and floors.

A wide mouth allows installation with either straight pipes or where a pipe joiner must be accommodated within the collar. A smooth thin collar body minimises the size hole required if spaces are to be bored to accommodate both pipe and collar.

This is accomplished by using a fixing system that eliminates the need for a locking clip.

A flange is an integral part of the B314 so that the collar can be applied with either the top or base of the collar exposed.

Unlike intumescent assisted mechanical damper type fire collars, Firepro B314 contain no fusible links or moving parts to require servicing. As the fire stopping intumescent material in our product is around the outside of the uninterrupted pipe it does not affect the performance of the pipe.

#### INSTALLATION

Seal the gap between the pipe and fire wall or floor using Firepro M707 Fire and Acoustic Sealant. Apply the collar holding it closed. First apply 8mm diameter steel bolts through the fixing holes on either side of the opening slit, and then all other fixing holes.

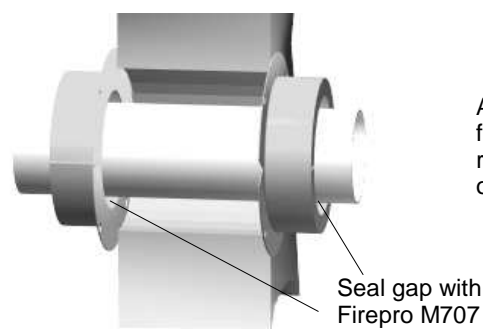
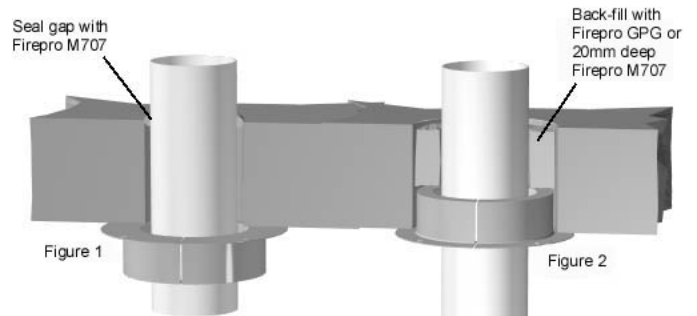
If the collar is applied in a floor with the body inserted into a pre-drilled hole, the space above the collar should be back-filled with Firepro GPG or sealed with Firepro M707 Fire and Acoustic Sealant at least 20mm deep. A Firepro Tidy Flange may be used to dam mortar. Any gaps between the pipe and collar must be sealed with a band of Firepro M707 10mm thick to ensure safe fire sealing of the penetration.

#### ACOUSTIC

The use of Firepro M707 Fire and Acoustic Sealant as stated maintains the acoustic performance of the wall or floor as well as providing smoke control. For further acoustic control on pipes choose from Firepro Centabuild's range of noise control insulation.

#### FIRE TEST DATA

Firepro B314 Fire Collars have been fire-tested in the conventional manner in accordance with AS1530:4, AS4072:1 section 3, and BS476.20:22 in floors with uPVC pipes and fire laboratory assessed and approved for use with PE (Polyethylene) pressure pipes in accordance with AS4130. Under BS476.20:22 conventions may also be used in walls. In addition to conventional testing with pipes 2 metres long uncapped at end outside the furnace to maximise test severity, B314 has also been fire-tested with pipes capped on both exposed and unexposed ends.



A wall fire rated from both sides requires a collar on each side.

**NOTE:** The technical information and suggestions for use and application presented herein represent the best information available to us and are believed to be reliable. They should not however be construed as controlling suggestions and there is no warranty of performance of our materials either expressed or implied. We urge that users of our materials conduct confirmatory tests to determine final suitability for their specific end uses. All dimensions are nominal. **We reserve the right to make changes or to withdraw designs and products without notice.**